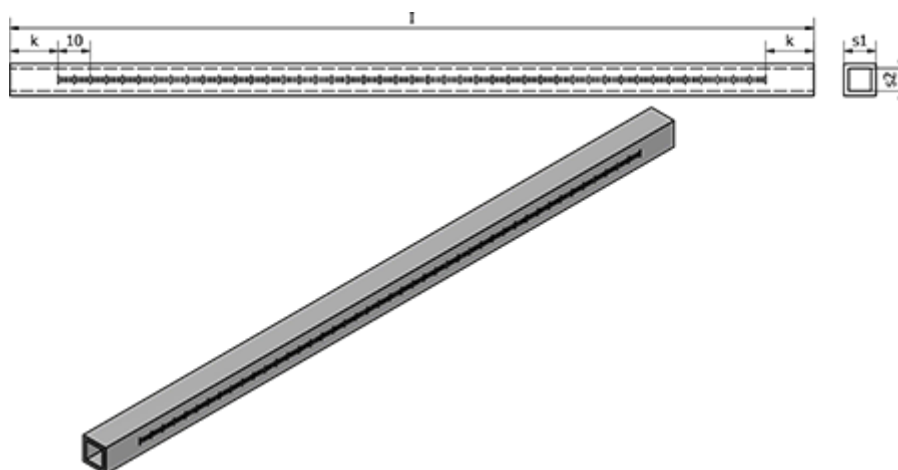


Article number: 204801V16150ALOS

Description: E+G Retaining tube without scales - GN 480.1-V16-150-AL-OS

Measures



l	= 150
k	= 20
s1	= V16
s2	= 13
Weight (g)	= 32